

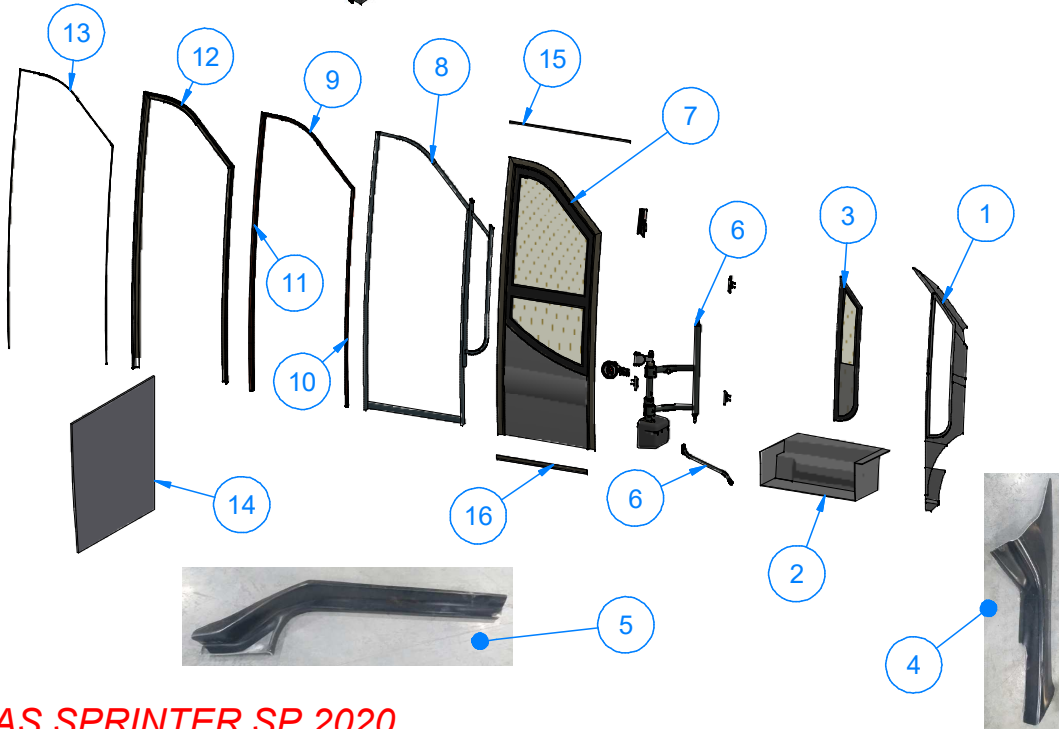
DEĞİŞİKLİK

DEĞ.NO.	TARİH	YAPAN	AÇIKLAMA
A	02.03.2023	Senem ÇALIŞKAN	10 089 1000 AND 10 084 0750 WERE ADDED.
B	02.03.2023	Senem ÇALIŞKAN	10 089 1000 REPLACED BY 10 505 1000
C	27.12.2023	Senem ÇALIŞKAN	DOOR LEAF WERE CHANGED
D	23.09.2024	Fatih YAVUZ	94 100 0525 WAS REPLACED BY 94 100 0799. 30 001 1316 WAS REPLACED 30 001 2200.



MB SPRINTER 907

16	DOOR TIRE 750mm	10 027 0048	10 084 0750	1
15	SEALED TIRE 1000mm	10 027 0105	10 505 1000	1
14	CONNECTION PLATE	S235JR	10 026 1274	1
13	SIDE TIRE	10 011 0105	10 105 0005	1
12	FRAME RUBBER	ELOSTAMER	10 027 5200	1
11	RIGHT FRAME ALUMINUM	10 001 3001	88 000 0046	1
10	LEFT FRAME ALUMINUM	10 001 3001	88 000 0045	1
9	UPPER FRAME ALUMINUM	10 001 3001	88 000 0044	1
8	VEHICLE CONNECTION FRAME	XXX	30 001 2200	1
7	DOOR SET	XXX	94 100 0799	1
6	MECHANISM SET	XXX	35 060 0420	1
5	FIBER	FIBER	10 011 0489	1
4	FIBER	FIBER	10 011 0488	1
3	GLASS (RESISTANCE)	XXX	10 028 0446	1
2	FIBER STEP	FIBER	10 011 0491	1
1	MIRROR FIBER	FIBER	10 011 0485	1
NO	PART NAME	MATERIAL	PART NO	QUANTITY



PART LIST

AD SOYAD NAME SURNAME	TARİH DATE	İMZA SIGNATURE		
ÇİZEN DESIGNER	Fatih YAVUZ	31.12.2019		
KONTROL TO CHECK	Arzu YANIK	31.12.2019		
ONAY TO APPROVE	Fatih YAVUZ	31.12.2019		
PARÇA ADI MATERIAL NAME	MERCEDES SPRINTER FRONT DOOR SET			OTOBÜS/MİNİBÜS KAPI SİSTEMLERİ BUS & MINIBUS DOOR SYSTEMS
PARÇA NO MATERIAL NO	50 100 0465			
HAMMADDE MATERIAL NO	XXX	HAMMADDE MATERIAL NO	XXX	KRİTİK ÖLÇÜ CRITICAL DIM.
REVİZYON REVISION	D	EBAT SIZE	A3	KAPLAMA & BOYA COVER & COLOR
		ÖLÇEK SCALE	1/10	RAL 9005
				70 -110



ANLAŞ SPRINTER SP 2020

TÜM ÖLÇÜLER mm'DİR.